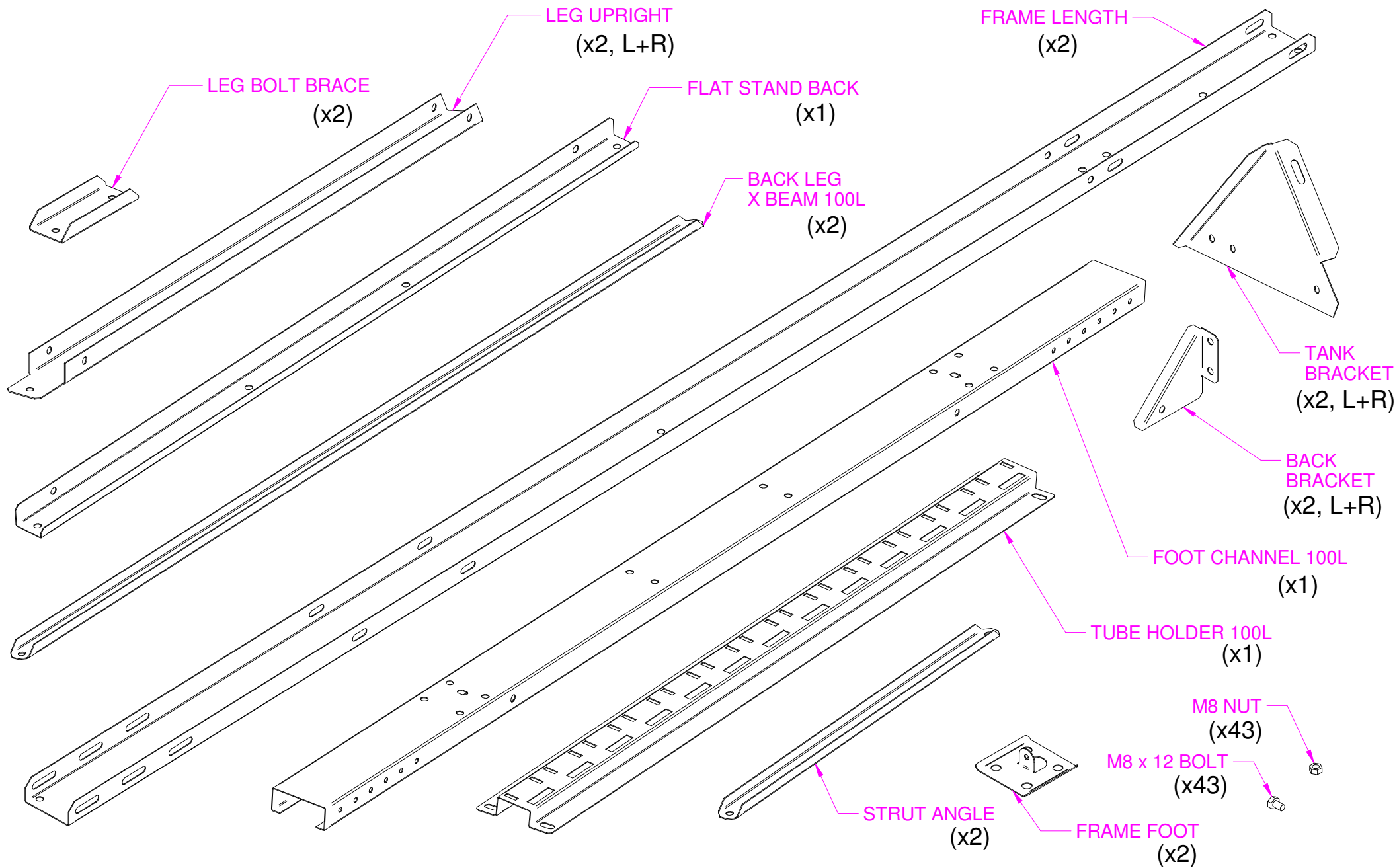


ITEM	DRWG NO	PART NAME	QUANTITY
15		M8x12 BOLT	43
6	765-246	FOOT PIECE	4
3	765-300	DOE LENGTH	2
7	765-301	DOE TANK BRACKET	1
8	765-301	DOE TANK BRACKET_mir	1
1	765-302	DOE BACK BRACKET	1
2	765-302	DOE BACK BRACKET_mir	1
5	765-303	DOE LEG STRUT ANGLE	4
4	765-304	TUBE HOLDER 100L HP	1
11	765-307	DOE 100L FOOT CHANNEL	1
10	765-310	LEFT LEG UPRIGHT	2
12	765-311	LEG BOLT BRACE	2
9	765-314	DOE FLAT STAND BACK	1
13	765-315	BACK LEG X BEAM	2
14	765-318	MAIN BRACE	2

100L HP FLAT STAND



100L HP FLAT STAND

