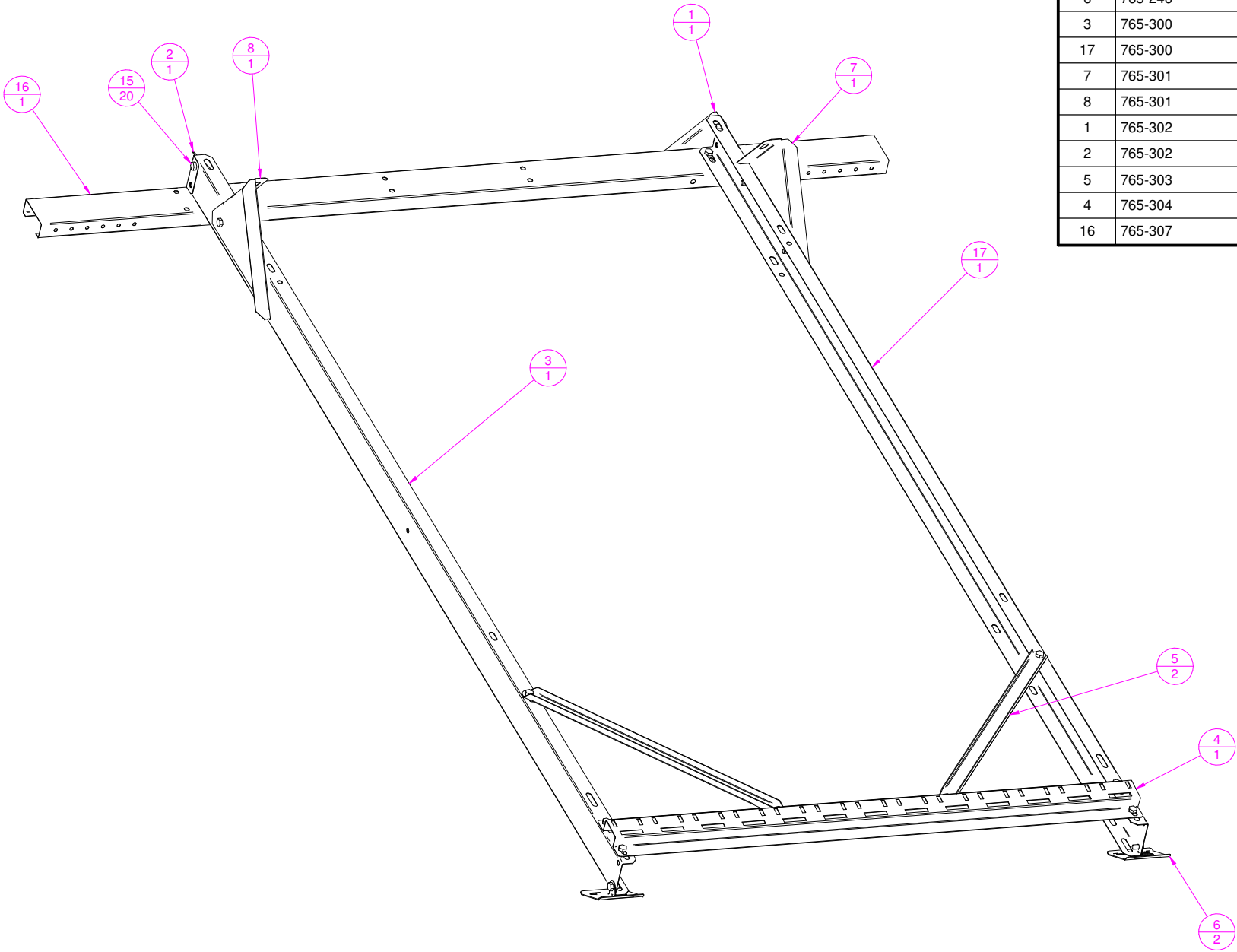
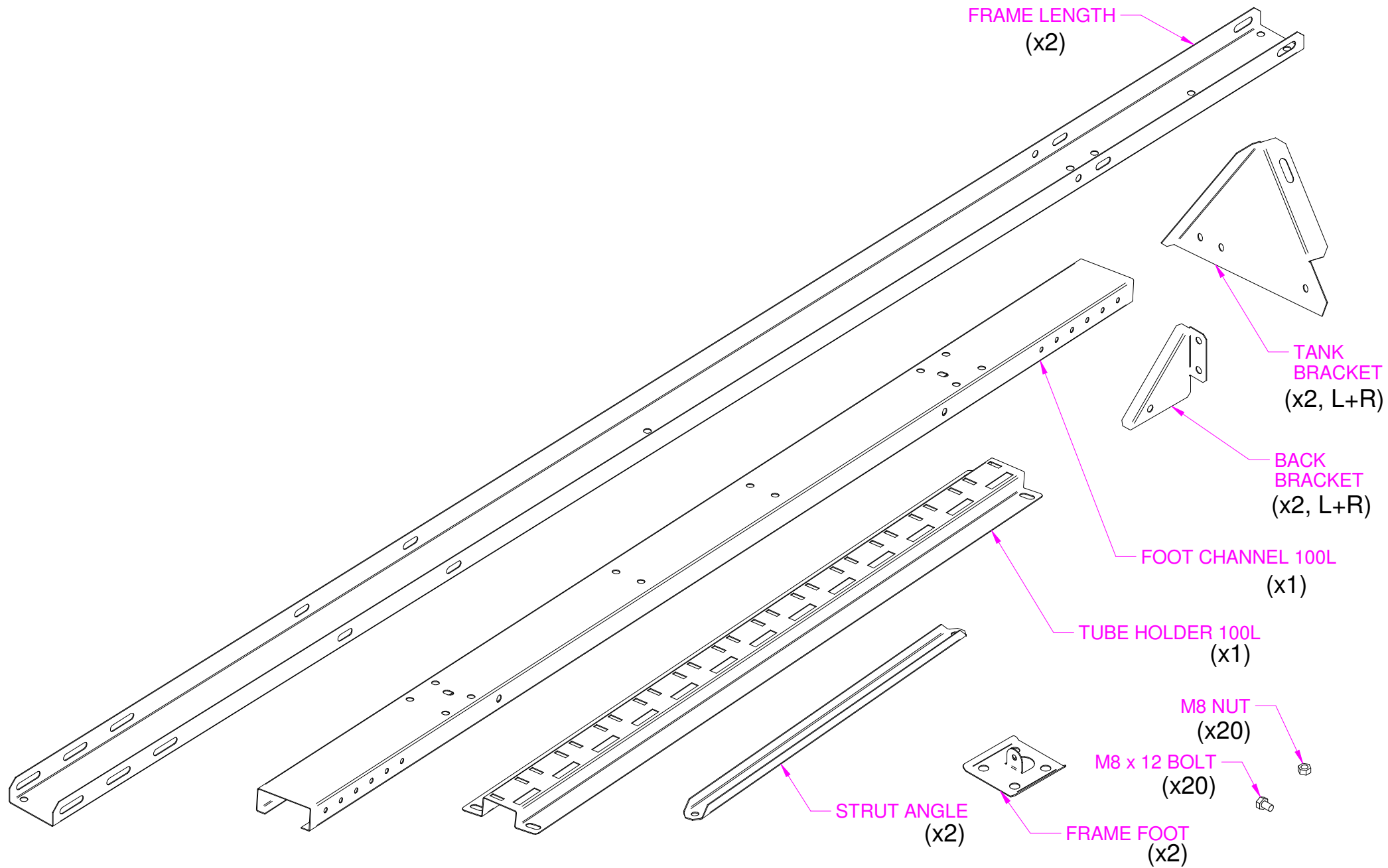


ITEM	DRWG NO	PART NAME	QUANTITY
15		M8x12 BOLT	20
6	765-246	FOOT PIECE	2
3	765-300	DOE LENGTH	1
17	765-300	DOE LENGTH_mir	1
7	765-301	DOE TANK BRACKET	1
8	765-301	DOE TANK BRACKET_mir	1
1	765-302	DOE BACK BRACKET	1
2	765-302	DOE BACK BRACKET_mir	1
5	765-303	DOE LEG STRUT ANGLE	2
4	765-304	TUBE HOLDER 100L HP	1
16	765-307	DOE 100L FOOT CHANNEL	1



100L HP PITCHED STAND





100L HP PITCHED STAND