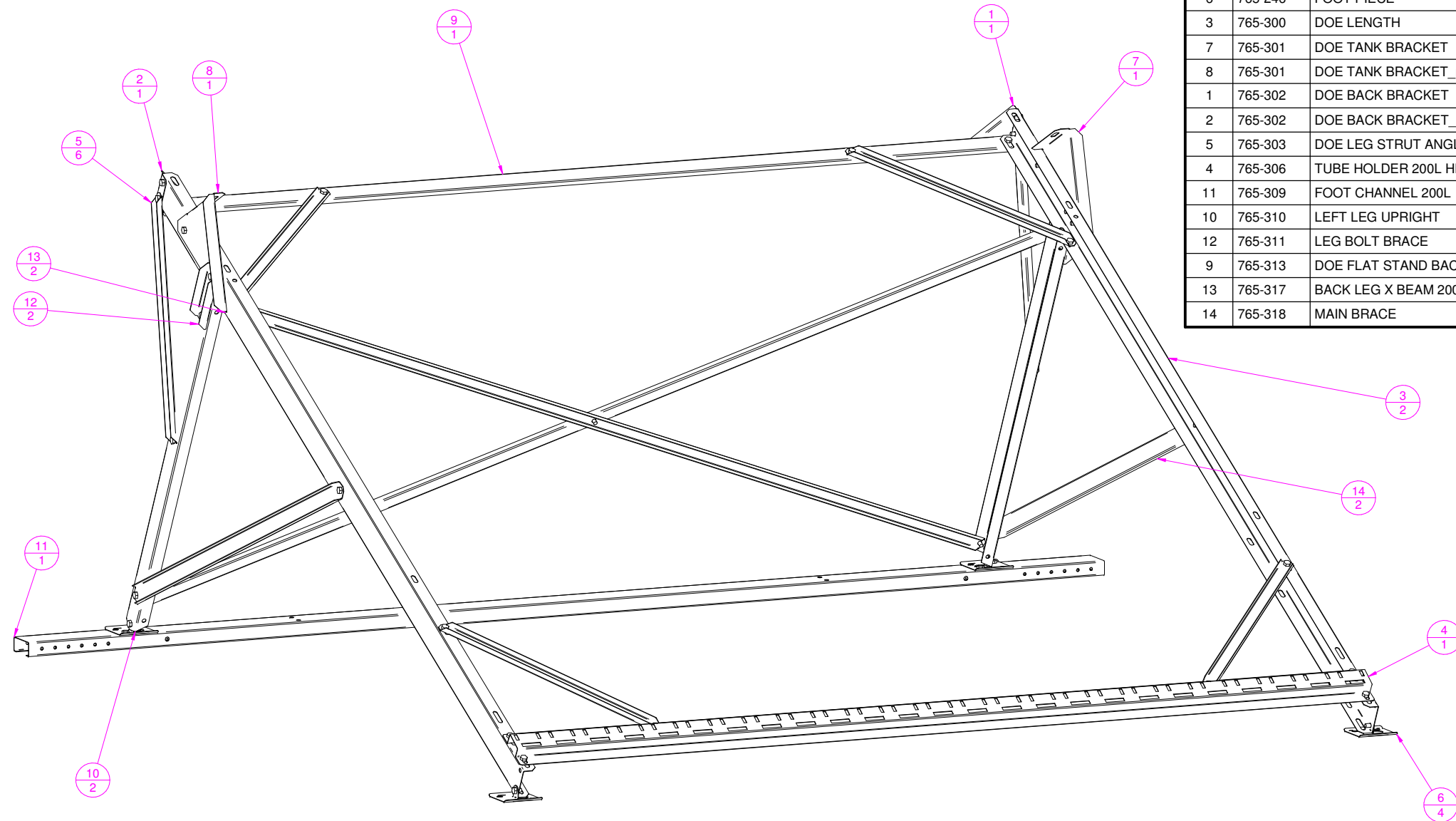
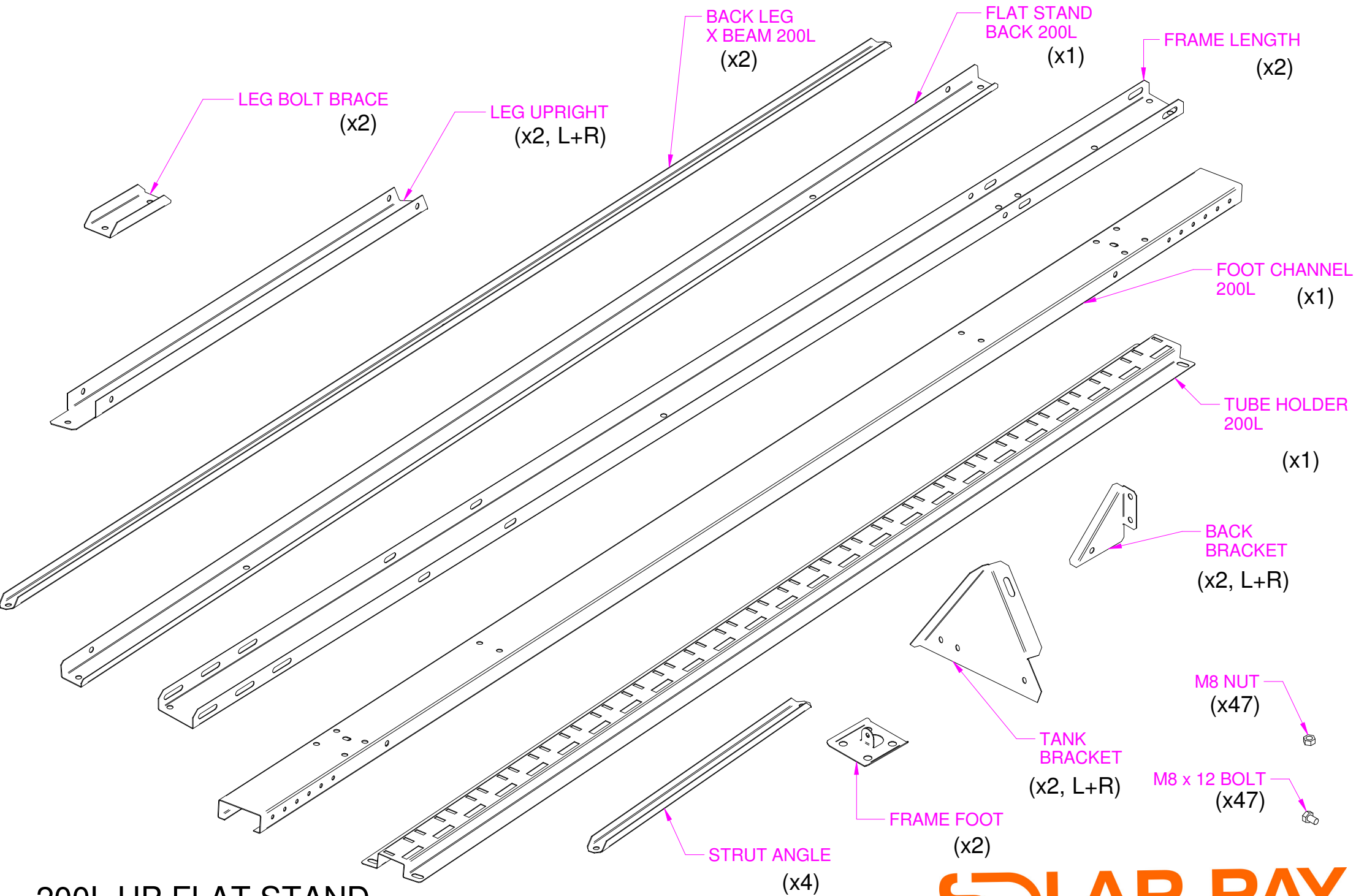


ITEM	DRWG NO	PART NAME	QUANTITY
15*		M8x12 BOLT	47
6	765-246	FOOT PIECE	4
3	765-300	DOE LENGTH	2
7	765-301	DOE TANK BRACKET	1
8	765-301	DOE TANK BRACKET_mir	1
1	765-302	DOE BACK BRACKET	1
2	765-302	DOE BACK BRACKET_mir	1
5	765-303	DOE LEG STRUT ANGLE	6
4	765-306	TUBE HOLDER 200L HP	1
11	765-309	FOOT CHANNEL 200L	1
10	765-310	LEFT LEG UPRIGHT	2
12	765-311	LEG BOLT BRACE	2
9	765-313	DOE FLAT STAND BACK 200L	1
13	765-317	BACK LEG X BEAM 200L	2
14	765-318	MAIN BRACE	2



200L HP FLAT STAND



200L HP FLAT STAND

