


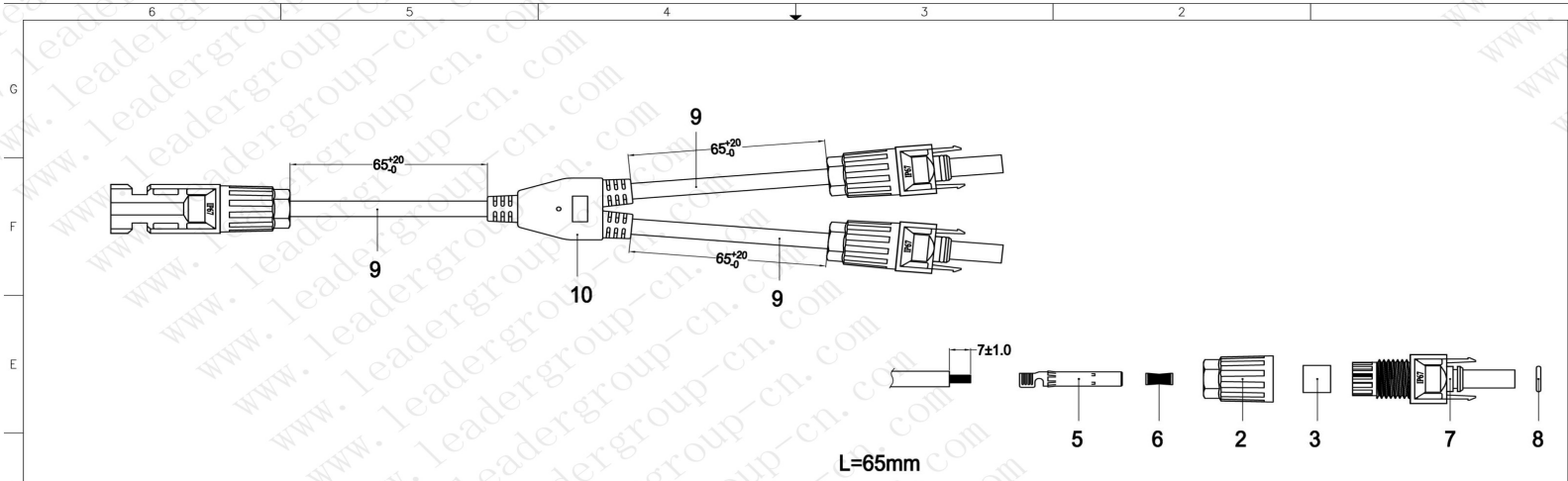
## Description

LEADER® mc4 y connector is Compatible with multi contact 4 connector,suitable to solar cable 2.5 mm<sup>2</sup>,4mm<sup>2</sup> and 6mm<sup>2</sup> in solar connection project.connecting solar panels in series or parallel. quickly and reliable connection of the solar cables to the photovoltaic system(solar panels, converters).

- **Compatible with MC4 cable coupler solar connector PV-KBT4/KST4.**
- **15 Years of production experience in solar connectors**
- **TUV approved & Quick and easy to install**
- **Protection class IP67 Suitable for outdoor harsh environments**
- **Stable connection & Reducing maintenance cost**
- **Free Sample is available**

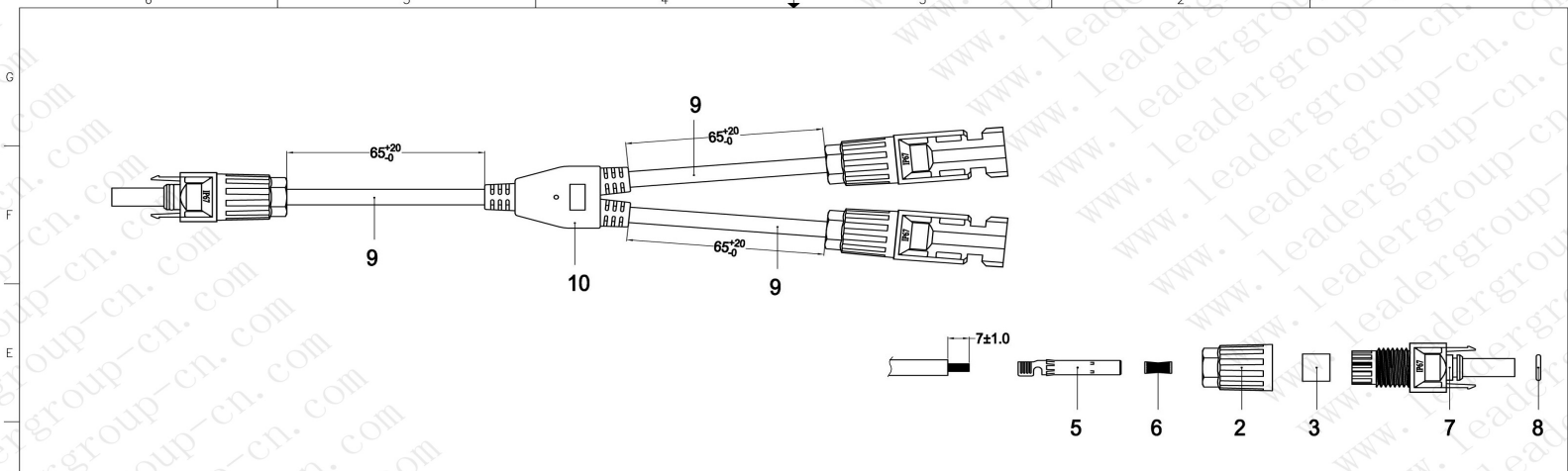
## Specification Of mc4 y connector

mc4 y connector		
	Product NO.	SY-BY21-A/B
	Insulation material	PPO
	Rated Voltage	TUV 1000 DC/ UL 600V DC
	Rated Current	20A-40A
	Test voltage	6KV(50Hz,1Min)
	Contact material	copper, tin plated
	Contact resistance	less than 0.5 m ohm
	Degree of protection	IP67
	Pin dimension	4.0 MM
	Compatible Solar cable	2.5/4.0 /6.0 mm <sup>2</sup> (14/12/10 AWG)



10	SY-CM21-00	2in1 Molding	1	Black	PP
9	SY-CB65-01	4.0mm <sup>2</sup> Cable	3	Black	L=65mm
8	SY-MC4-2-S01-00	Ø10*1.5"O" Ring	2	Red	Silicone
7	SY-TC4A-P01-00	Ø4.0 Cable Male Connector Housing	2	Black	PPO
6	SY-TC4A-M02-00	Ø4 Drum Terminal	2	White	Beryllium Bronze
5	SY-TC4A-M01-00	Ø4 Female Terminal	2	White	Copper
4	SY-MC4-1-P01-00	Ø4.0 Cable Male Connector Housing	1	Black	PPO
3	SY-TC4B-S01-00	Ø10.5*7.0 Waterproof Ring( For 4~6MM <sup>2</sup> Cable)	3	Black	Silicone
2	SY-TC4A-P01-00	Ø15 Turncap	3	Black	PPO
1	SY-MC4-2-M01-00	Ø4 Mmale Terminal	1	White	Copper
No.	Product No.	Product Name	Q'TY	Colour	Material

Dimension	Tolerance	LEADER TECHNOLOGY (SHENZHEN) CO.,LTMITED			
30.00~60.00	±0.05	APVD:	NAME: 1Male To 2Female Cable		
60.00~90.00	±0.05	CHK:	PRODUCT NUMBER: SY-BY21-A		
90.00~120.00	±0.05	DWN:	Units: Size: SCALE: SHEET BLATT: REV: MM A4 1 OF 1 A		
120.00~	±0.05				
Angle					
0~60°	±0.05				
60°~	±0.05				



10	SY-CM21-00	2in1 Molding	1	Black	PP
9	SY-CB65-01	4.0mm <sup>2</sup> Cable	3	Black	L=65mm
8	SY-MC4-2-S01-00	Ø10*1.5"O" Ring	1	Red	Silicone
7	SY-TC4A-P01-00	Ø4.0 Cable Male Connector Housing	1	Black	PPO
6	SY-TC4A-M02-00	Ø4 Drum Terminal	1	White	Beryllium Bronze
5	SY-TC4A-M01-00	Ø4 Female Terminal	1	White	Copper
4	SY-MC4-1-P01-00	Ø4.0 Cable Male Connector Housing	2	Black	PPO
3	SY-TC4B-S01-00	Ø10.5*7.0 Waterproof Ring( For 4~6MM <sup>2</sup> Cable)	3	Black	Silicone
2	SY-TC4A-P01-00	Ø15 Turncap	3	Black	PPO
1	SY-MC4-2-M01-00	Ø4 Mmale Terminal	2	White	Copper
No.	Product No.	Product Name	Q'TY	Colour	Material

Dimension	Tolerance	LEADER TECHNOLOGY (SHENZHEN) CO.,LTMITED			
30.00~60.00	±0.05	APVD:	NAME: 1Female To 2Male Cable		
60.00~90.00	±0.05	CHK:	PRODUCT NUMBER: SY-BY21-B		
90.00~120.00	±0.05	DWN:	Units: Size: SCALE: SHEET BLATT: REV: MM A4 1 OF 1 A		
120.00~	±0.05				
Angle					
0~60°	±0.05				
60°~	±0.05				